

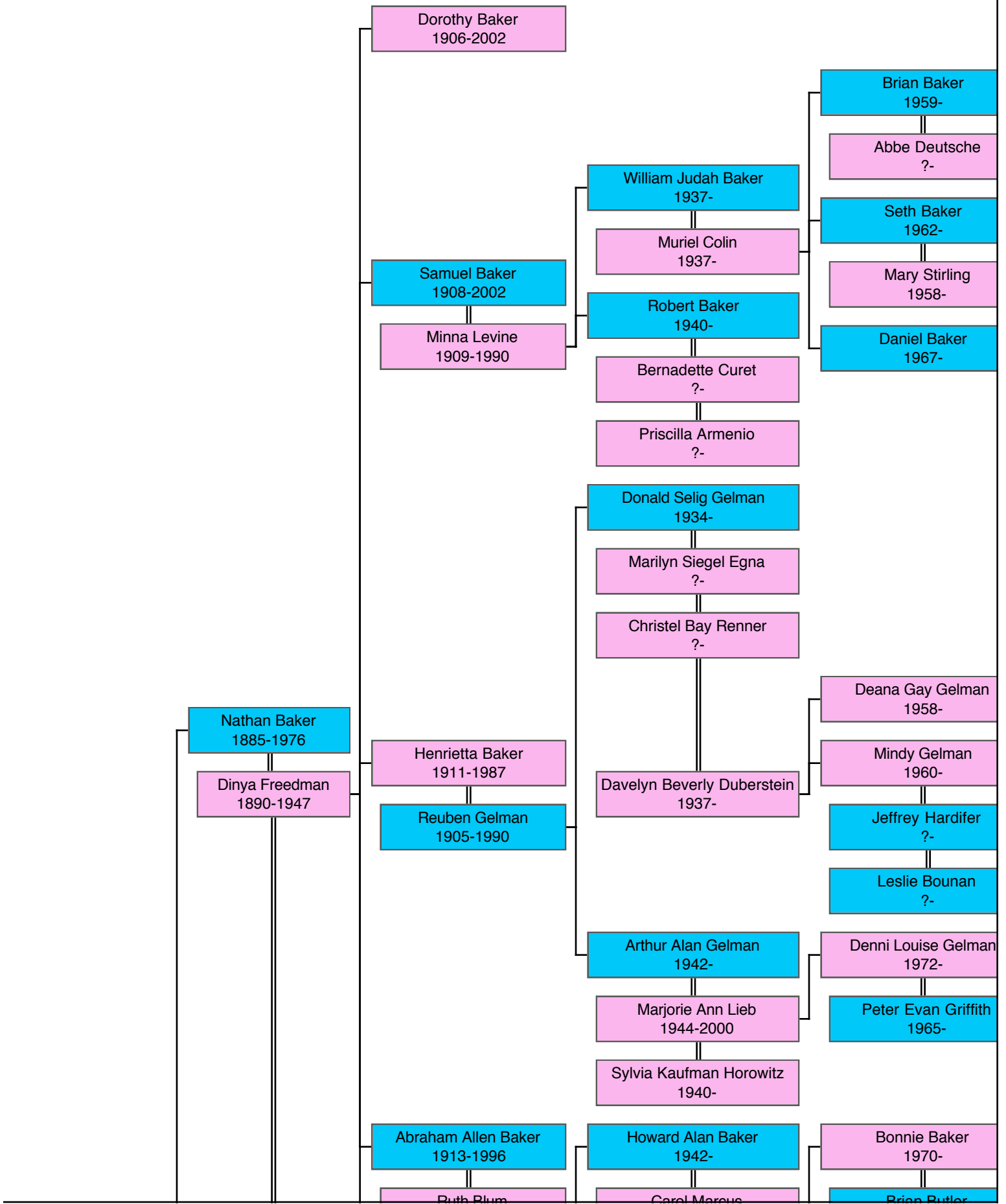
Descendants of Jacob-Moshe Baker

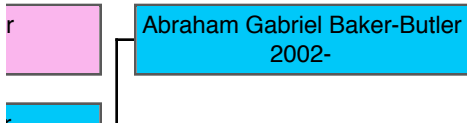
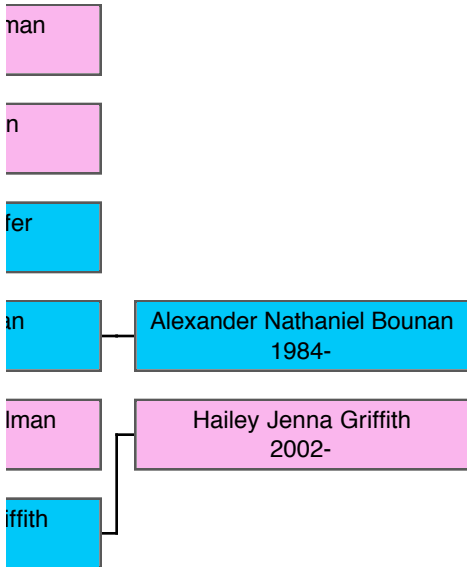
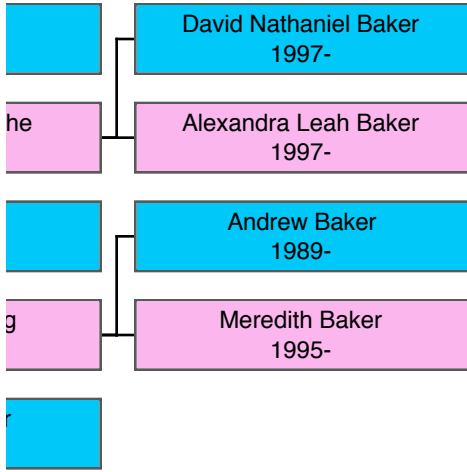
1

2

3

4





Anna Sherman
?-?

Ruth Blum
1915-

Carol Marcus
1946-

Brian Butler
1970-

LaRea Baker
1925-

Willson Bridges Moody III
1949-

Willson Bryce Moody
1988-

Wilson Bridges Moody, Jr
1925-2001

Linda Reipas
1950-

Diana Kathleen Moody
1954-

Scott Davidson Moody
1956-

Ellen Margaret Robbins
1951-

Douglas Lowell Moody
1957-

Jeffrey Bridges Moody
1988-

Joan Urquhart
1951-

Allison Urquhart Mood
1990-

Sam Baker
1891-1953

Lester Baker
1921-2000

Susan Baker
1951-

Mira Wollenberg
1995-

Carolyn (Jeane) Hanback
1925-

Steve Wollenberg
1951-

William Baker
1956-

Michael Robert Baker
1991-

Lynn
?-

Amy Baker
1961-

Sarah Dobson
1989-

Ken Dobson
?-

Joshua Dobson
1991-

Stephen Baker
1953-

Kristina Baker
1983-

Beth Houlihan
1958-

Lauren Baker
1986-

Arthur Baker
1923-1999

James Samuel Baker
1953-

Marilyn Goodman
?-?

Kathy Wolfe
1952-

Jacob-Moshe Baker
1853-1933

Gertrude Meyerovitz
1900-1980

Jeanie Baker
?

Leah Esther Blumin

r

body

loody

loody

rg

aker

n

on

er

r

Leah Esther Blumin
1865-1916

???

Jeanie Baker
?-

Grace Carmine
?-

Stuart Leon Baker
1956-

Janet Ehman
1951-

Howard Baker
1928-2001

Robert Alan Baker
1958-

Brigitte Gayle Baker
1995-

Marjorie Ellen Karasik
1931-

Jill Larson
1958-

Nathan Grant Baker
1999-

Michael David Baker
1963-

Jeffrey Baker
1951-

Michelle
?-

Fred Baker
1917-

Corinne Baker
1957-

Little Girl Andres
1997-

Edith
1923-

Roger Andres
?-

Max Baker
1894-1980

Rebecca Lieberman
?-?

Cary Baker
1955-

Sharon Bell
1957-

Alex Baker
1897-1940

Paul Baker
1924-

Sorelle Levitt
1928-

Gregg Baker
1960-

Ilana Rae Baker
2000-

Shira Rose Baker
2003-

Dalia Avram Baker
2003-

Cynthia N Baker
1955-

Joseph Abraham Baker
1958-

Rosemary Genevieve Baker
1999-

David Baker
1925-1998

Renae Marie Morway
1965-

David Edward Baker
2001-

Sylva Sara Cann
1932-

Julia Mary Baker
1959-

aker

aker

es

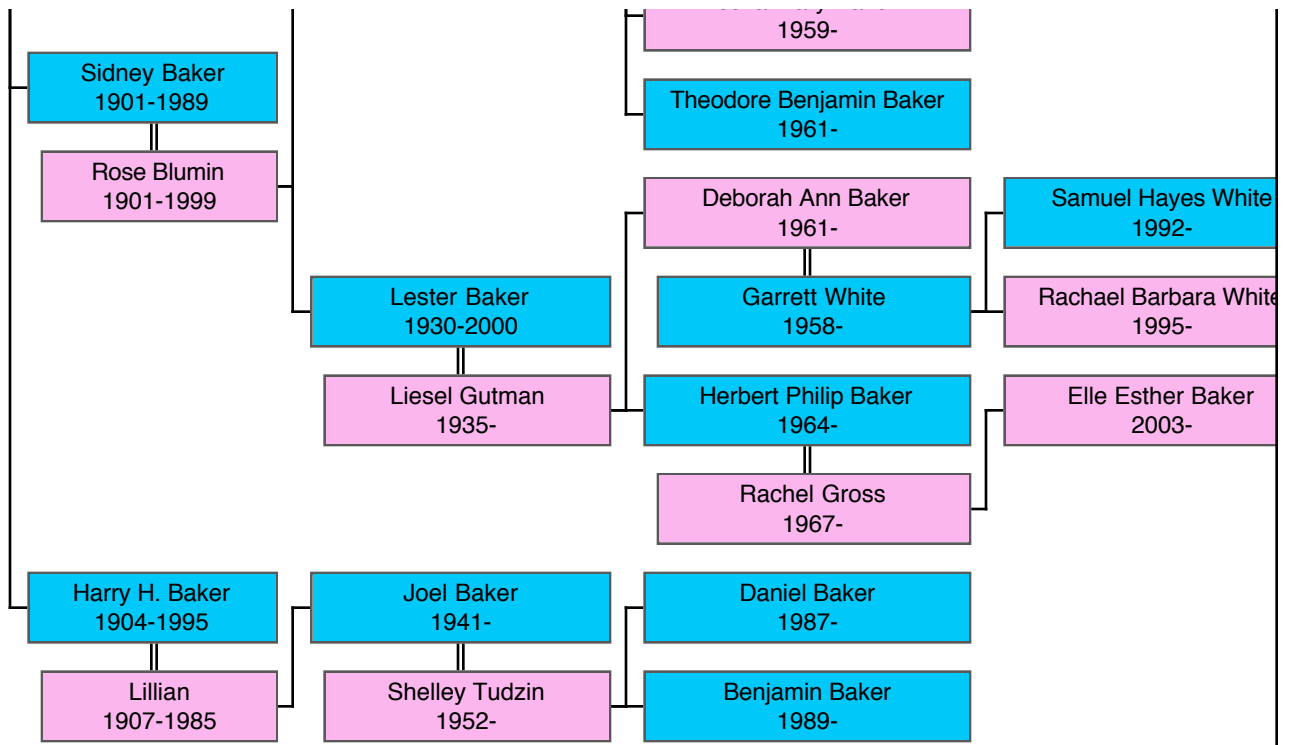
er

ker

ker

re Baker

aker



White

White

ker